

# Polo Meeting Table

## Assembly Instructions

**Tools Required:** Powered Screwdriver & Allen Key



### Important

Thank you for purchasing Knight product, please carefully read the assembly manual and direction for use prior to installment, use and maintenance of the product to gain a complete understanding of its contents. It provides you with important information about the safety, use, installation and maintenance of the product.

**WARNING: FAILURE TO COMPLY WITH OR OBSERVE ALL ASSEMBLY, SAFETY AND OPERATION INSTRUCTIONS REGARDING THE USE OF THIS PRODUCT MAY RESULT IN SERIOUS BODILY INJURY.**

#### SAFETY

- The product must be used in a safe manner. Inappropriate use may cause damage to the product and/or cause bodily harm to the user or persons nearby.
- Don't locate furniture in direct sunlight or near air-conditioning inlet or heating radiator.
- Don't put high-temperature or frozen objects on furniture.
- Safely carry product to location of assembly.
- Retain this operation manual & pass it on to any future owner.

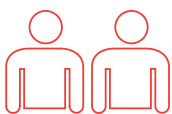
#### SET UP AND INSTALLATION

- Assemble the product according to the assembly instructions.
- To prevent possible scratches or damage, assemble the product on a soft surface such as a blanket, carpet or packaging.
- Place the product in a safe distance from window frames, radiators, furniture etc. so that persons cannot become trapped.

It is recommended that this product is assembled by 2 people.

**Any questions contact Knight on 0800 143 143**

Due to continuous improvement of our products, our assembly instructions may not be in complete accordance with the product and we apologise in advance.

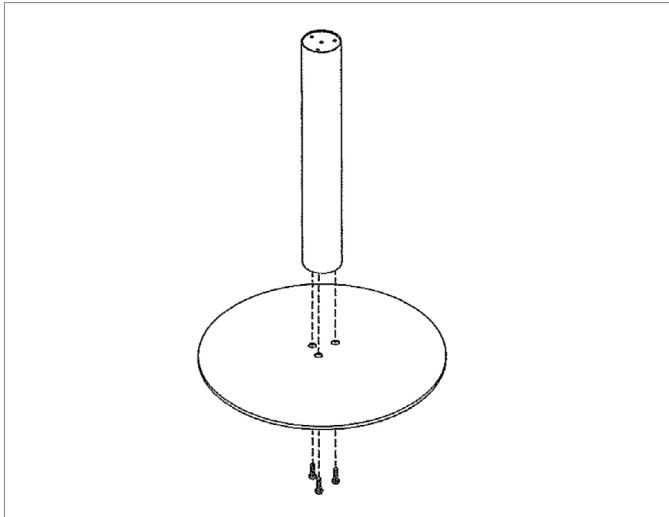


**Recommended  
2-person Step**

## Assembly Instructions

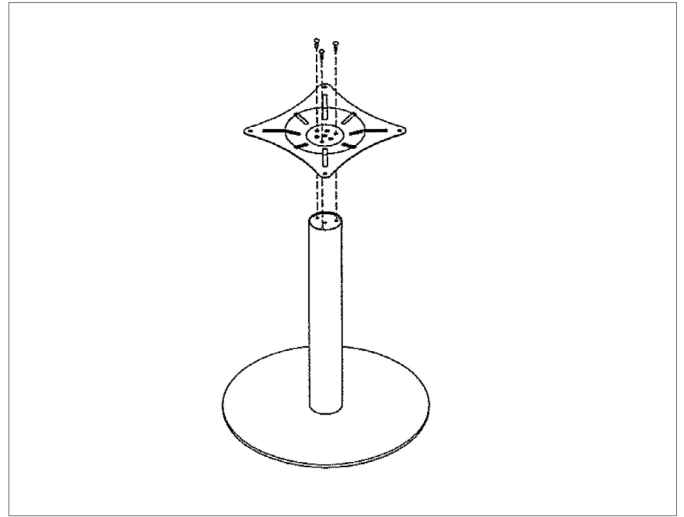
### Step 1

Connect the column and the base with the supplied M8x30 countersunk screws.



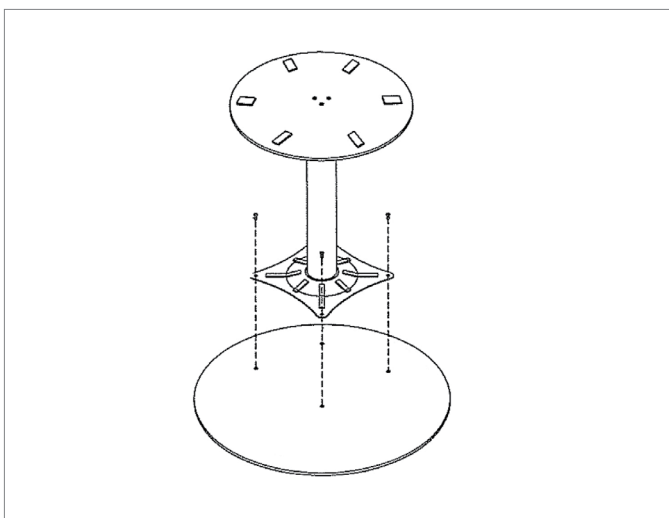
### Step 2

Connect the column and top bracket with the supplied M8x30 hexagonal screws.



### Step 3

Place top on a flat surface with the underneath facing upwards. Use a tape measure to centre the base in the middle of the top and the supplied wood screws to fix base to the top.



### Step 4

Turn Polo table over to upright position (2 person), lift and carry table to required location.

