

Cubit Workstation

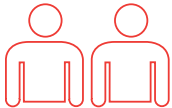
Assembly Instructions

Tools Required: Powered Screwdriver

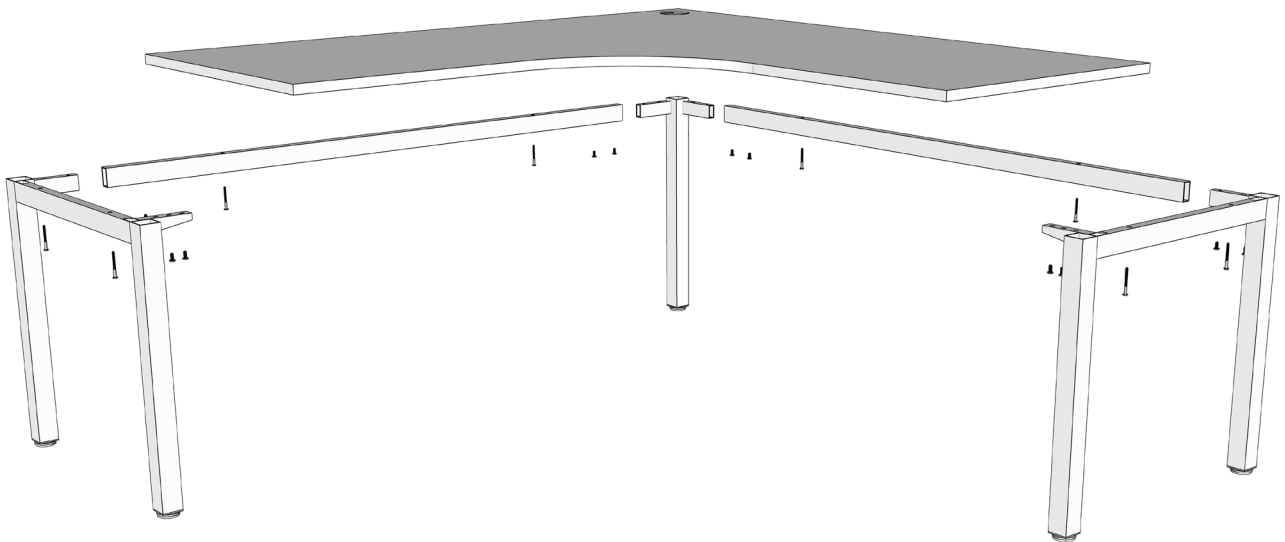


Assembly Instructions

- To prevent possible scratches or damage, assemble the product upside down on a soft surface such as a blanket, carpet or packaging.
- Attach leg to the top assembly by using bolts, spring washer, flat washer. Tighten using the allen wrench.

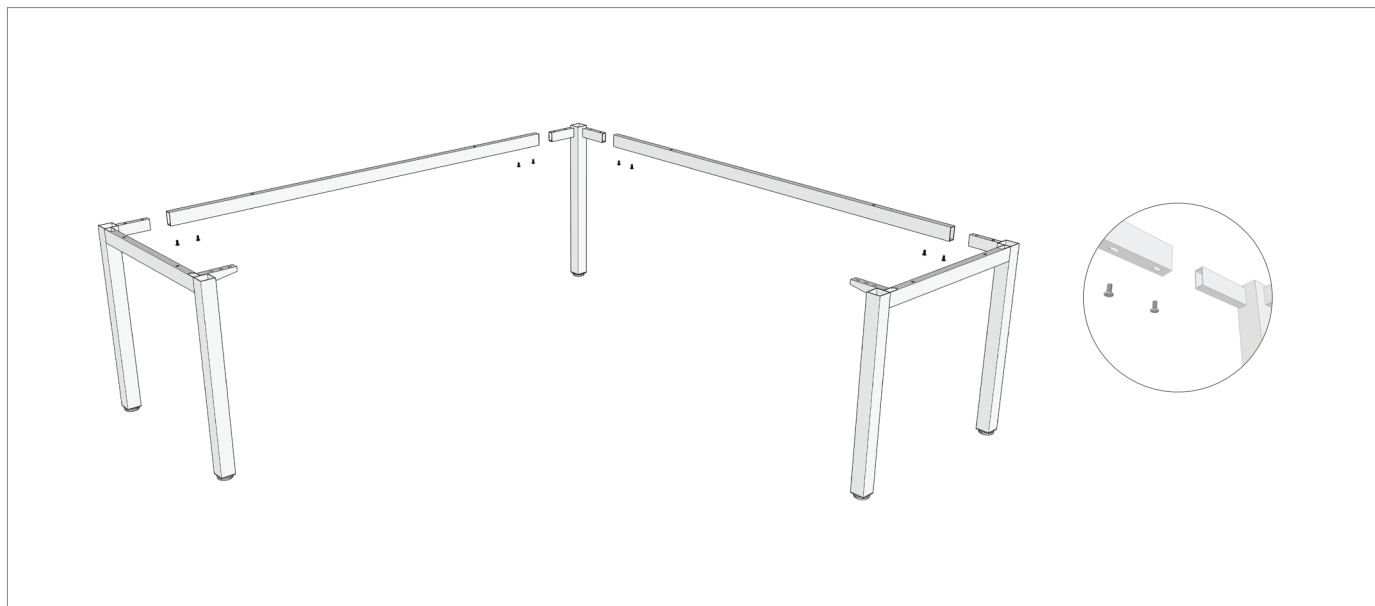


**Recommended
2-person Step**



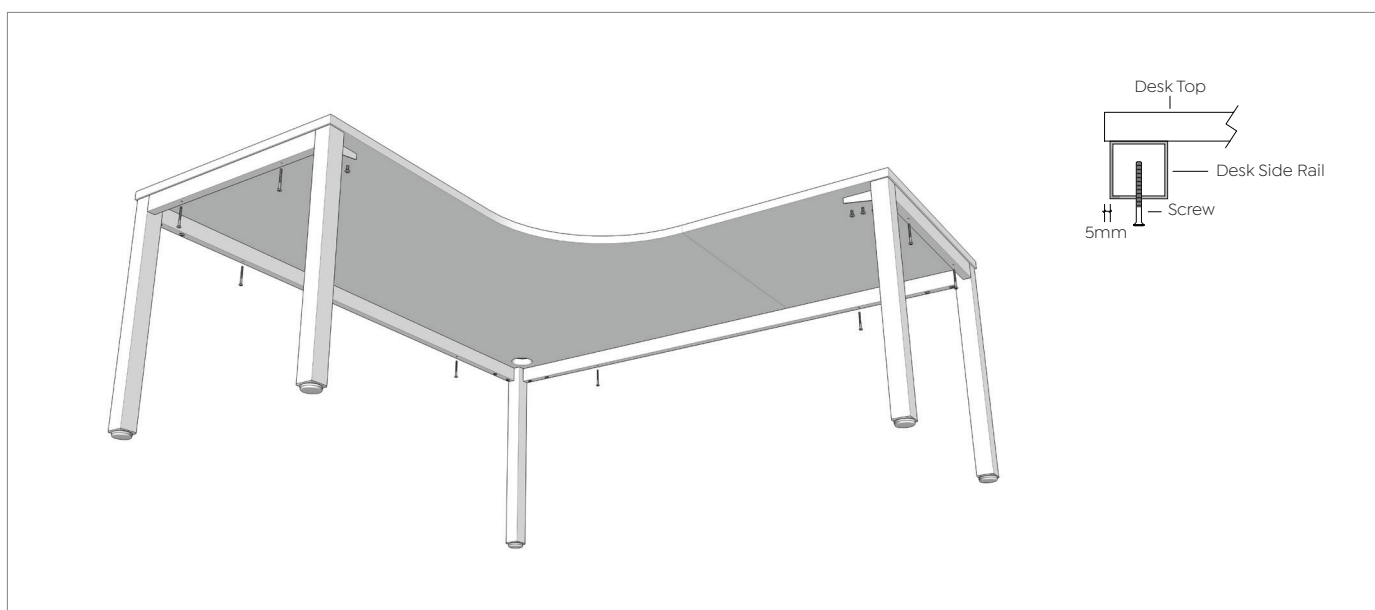
Step 1

Assemble frames & rails together, loosely (1 turn from tight).



Step 2

Fix desk top with 5mm overhang over metal frame. Lastly, fully tighten all rail to frame screws.



Complete

